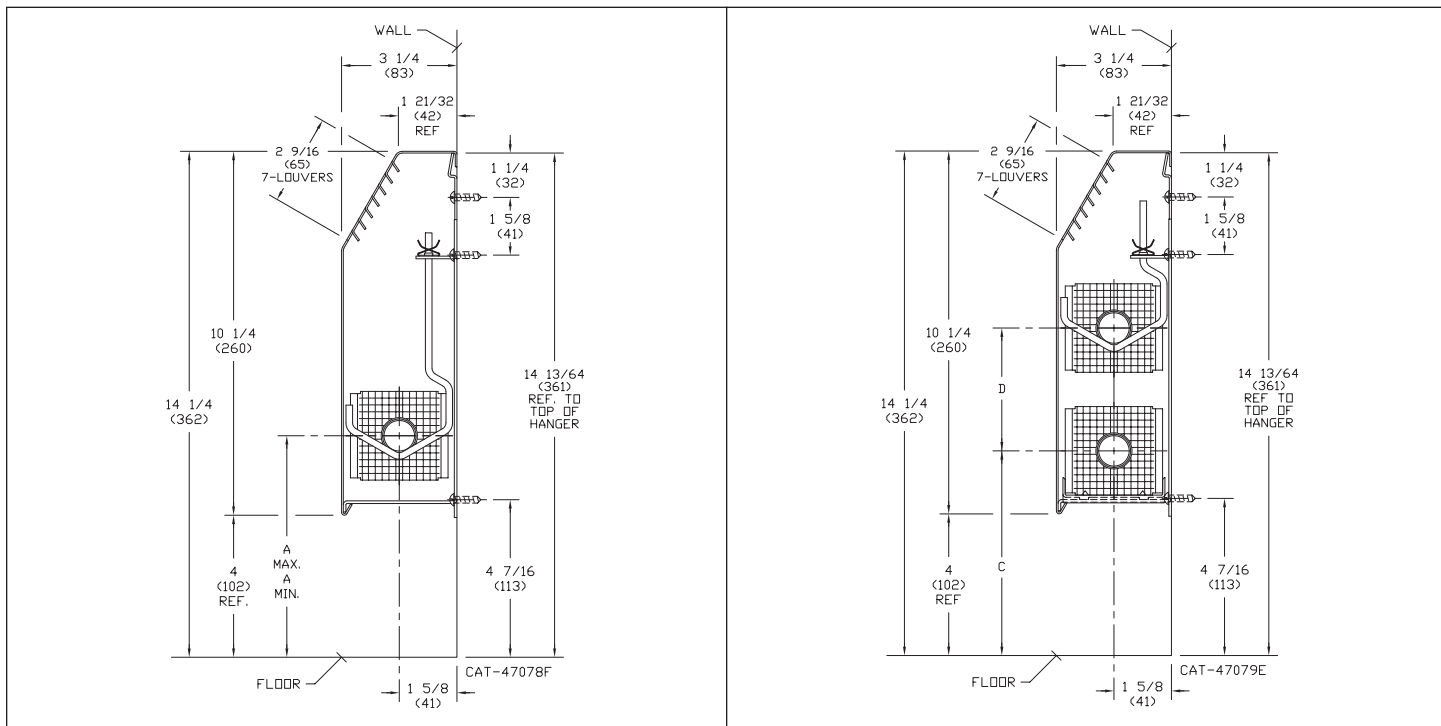


LC-210

LIGHT COMMERCIAL BASEBOARD RADIATION

INSTALLATION INSTRUCTIONS

DIMENSIONS



RECOMMENDED INSTALLATION PROCEDURE

1. Measure and snap a chalk line for the mounting height of the hanger strip from the finished floor. Secure the hanger strip to the wall making sure it is plum and level.
2. Mount brackets with the top of the bracket touching the bottom of the back plate. Install two brackets each for 2 foot through 6-foot lengths of cover and 3 brackets for 6-foot 6-inch lengths through 8-foot lengths. Place the end brackets approximately 6 to 9 inches in from the outside edge of the enclosure. On the longer lengths, the third bracket will be centered between the outer two brackets.
3. If the job requires adjustable rod hangers, mount those in the pre-punched holes in the bracket with the clutch nut. For two-tier element installations, a

shorter adjustable rod hanger is used for the upper tier of element. This piece is also used for a return pipe when called for. If the job requires the nylon element slide shoe, these are applied to the element where the brackets are installed.

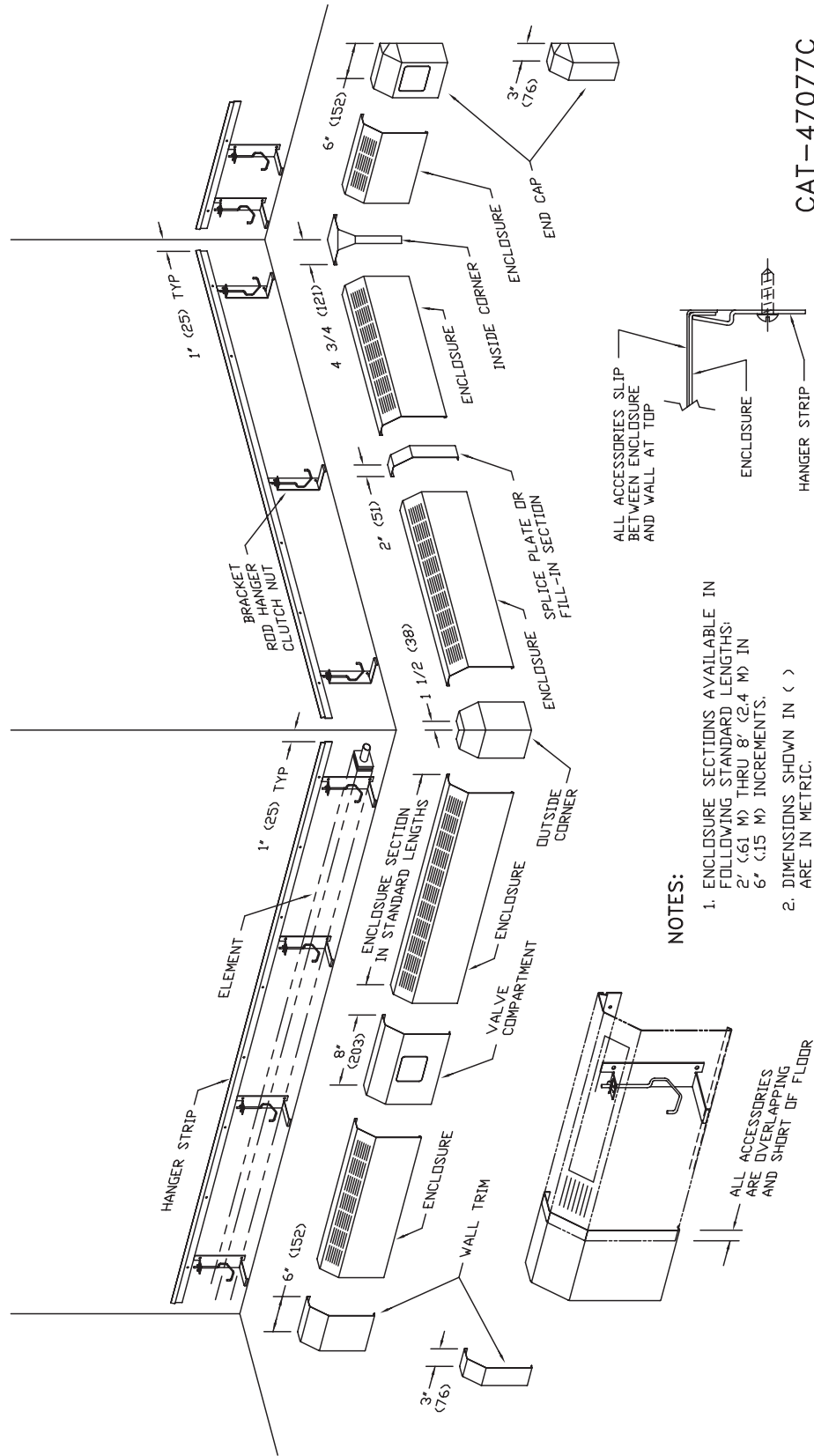
4. Place the elements in their position, per the mechanical drawings and complete the soldering as required. It is recommended that the element piping be flushed with water to remove excess flux that could create acid pinholes in the copper if left standing too long.
5. Install enclosure, as indicated on the mechanical drawings, into hanger strip. Install the overlapping accessories as needed. For runs that have multiple pieces of enclosure, mount the 2 -inch splice plate at each joint.



260 NORTH ELM ST., WESTFIELD, MA 01085
 TEL: (413) 568-9571
 www.vulcanrad.com



GENERAL LAYOUT



NOTES:

1. ENCLOSURE SECTIONS AVAILABLE IN FOLLOWING STANDARD LENGTHS:
 2' (0.61 M) THRU 8' (2.4 M) IN
 6" (0.15 M) INCREMENTS.
2. DIMENSIONS SHOWN IN () ARE IN METRIC.

CAT-47077C